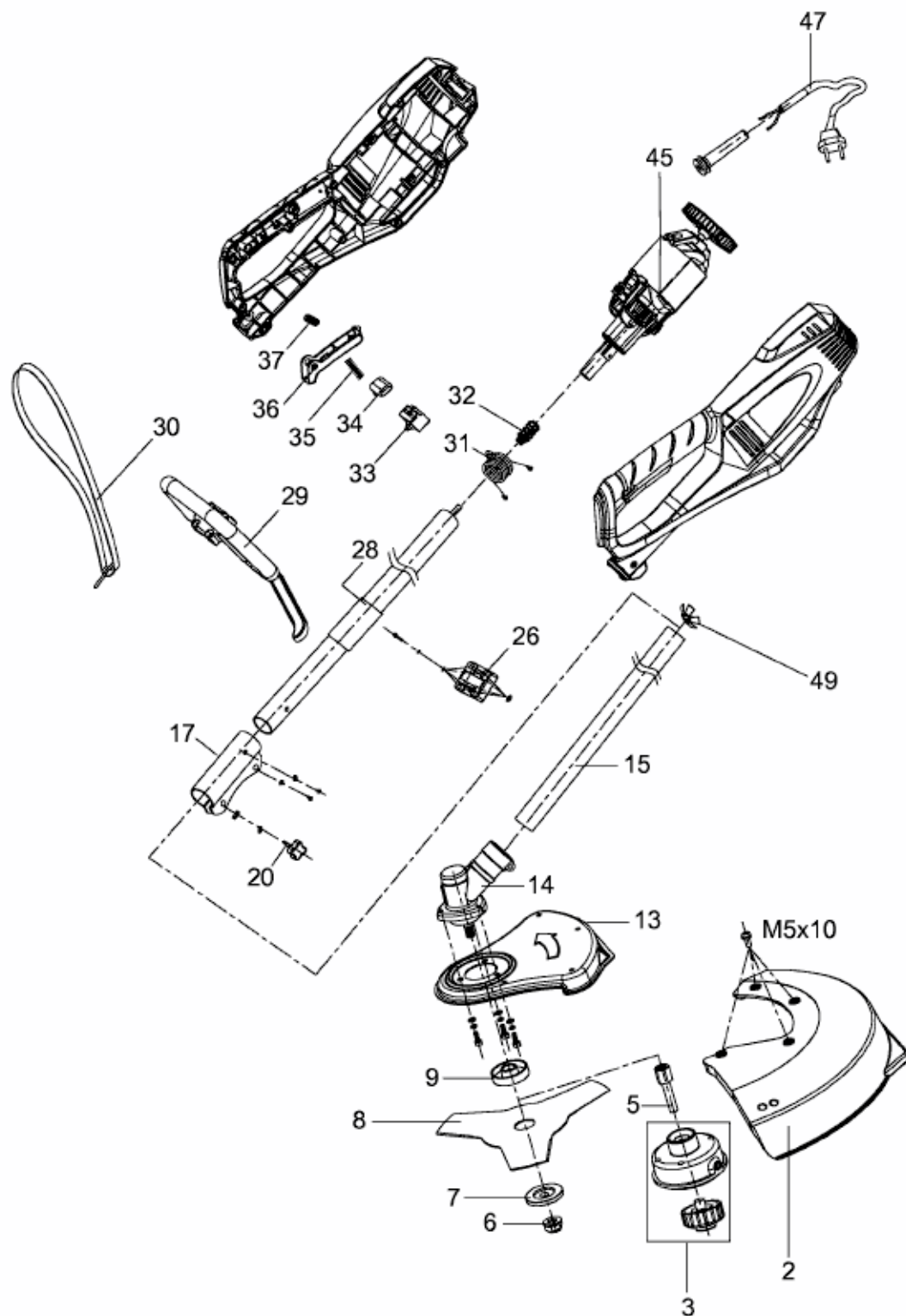


KERESS RÁ A "1183-M6-1000" > EB 1000 B > 41AC0UE-678 (2015) > ALAPGÉP



E3-02779A-01