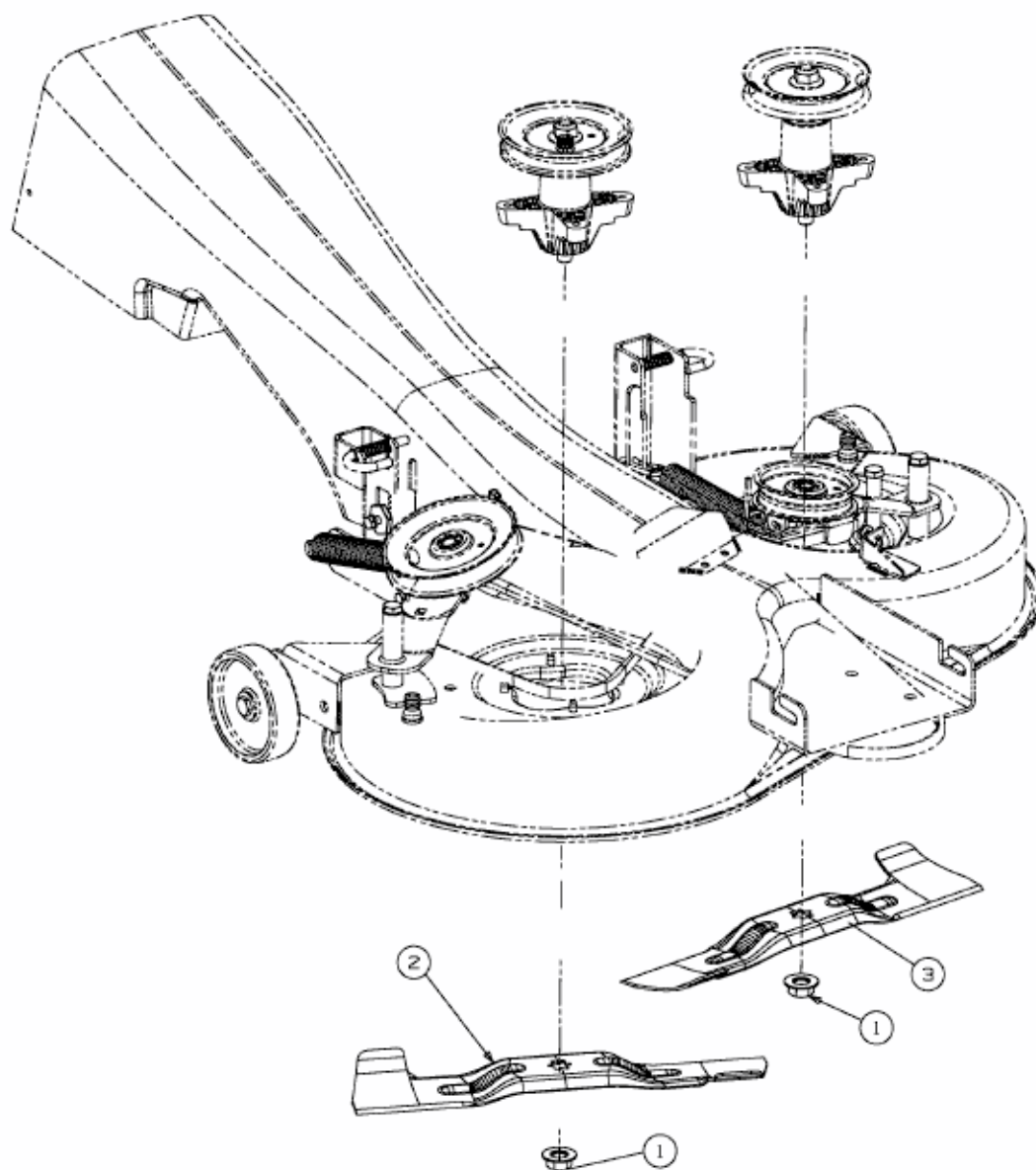


S 92.130 T > 13HH76WE650 (2015) > BLADES



E3-03433A-01